

## 9 Manufactured and Mobile Home Service

### 9.1 Underground Service Information

Refer to [Section 6](#) and to [Section 7.2](#) for requirements that pertain to installation of underground secondary (less than 600 volts) service.

### 9.2 Underground Service to Manufactured Homes Sockets

Underground service to manufactured homes will be provided under the same requirements as single-family service (see [Section 7, Single Family Service](#).) *because the home is site specific, occupies a private lot, and has a permanent foundation.* Pay particular attention to the meter height and position requirements in [Section 5.1, Meter Clearances and Locations](#).

The location of the factory-installed meter socket shall be approved by PGE before manufacture of the home. When the meter socket is improperly located, the Customer is responsible for all modifications to relocate or locate the meter to PGE requirements.

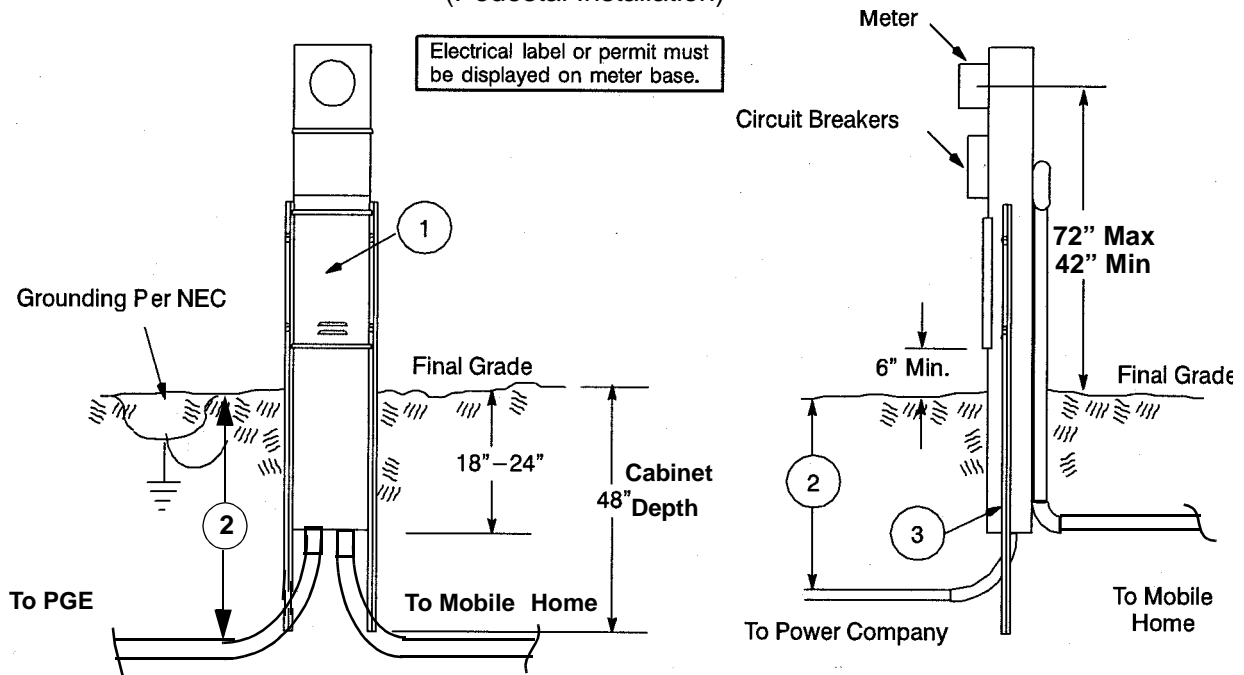
### 9.3 Underground Service to Mobile Homes

For underground service to a mobile home, locate the Customer's service entrance equipment either on an approved pedestal, or mount on a wood post not less than 6"x 6" pressure-treated with an American Wood Preservative Association-approved preservative. The Customer must furnish, install, and maintain the pedestal or wood post. Keep the bottom of the enclosure containing the service equipment not less than 24 inches above the finished grade. For a meter subject to physical damage, the Customer must install and maintain barrier posts or other suitable protection approved by PGE (see [Figure 6-4](#) for barrier post requirements.). Permanent labels on the meter socket enclosure with the space number are required in mobile home parks.

After approval, PGE will provide service to the meter pedestal compartment for permanent mobile homes. Each mobile home must have a separate pedestal compartment approved by PGE for termination of PGE's service lateral.

Locate PGE conductor trenches and conduit in mobile home parks away from (never underneath) the pad, foundation, or area provided for the manufactured home.

**Figure 9-1 Underground Service for Mobile Homes (EUSERC 307)**  
(Pedestal Installation)



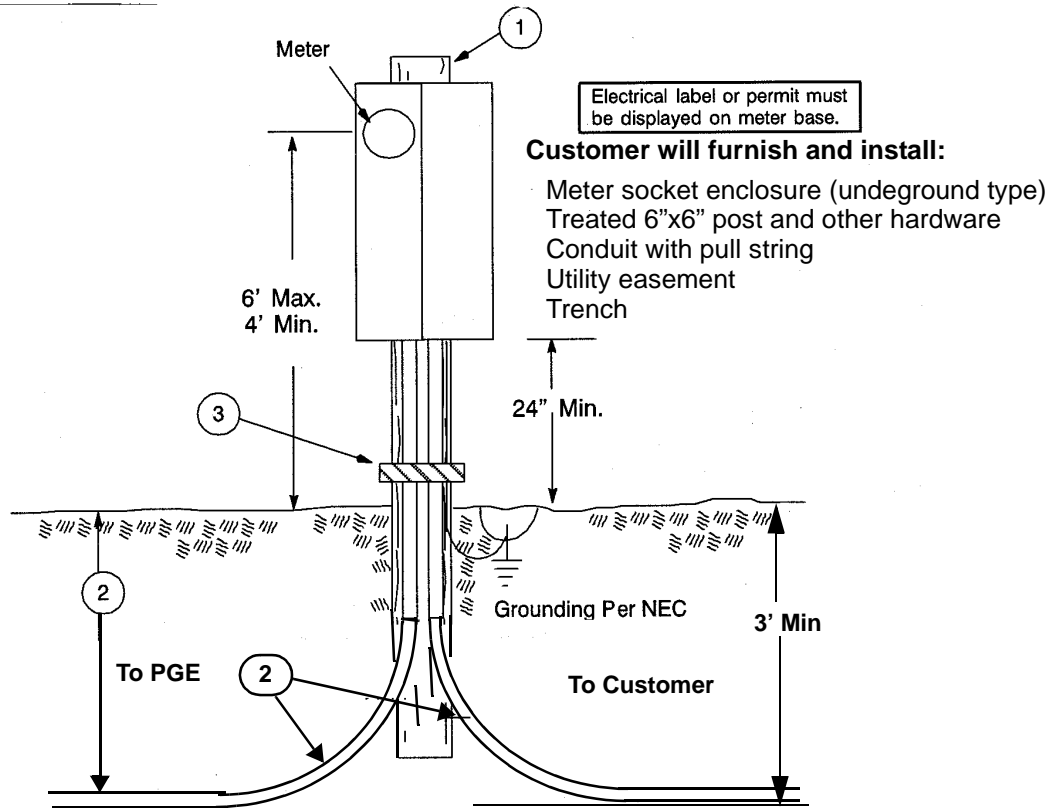
**References:**

1. Access door to PGE connections must be kept clear 6" minimum above final grade and have sealable provision for PGE.
2. See [Section 6](#) for trenching and underground requirements.
3. 1/8" x 1" x 1" Steel Angle - Drive into ground and attach to each side of pedestal with 1/4" or larger bolts. Contact PGE for other methods of stabilizing base.

**Notes:**

- a. Provide additional corrosion-resistant protection to bottom of pedestal which contacts the soil. (Use electroplate galvanizing under paint, a paint with coal tar coating, etc.)
- b. Set pedestal so front door to PGE connections remains accessible.
- c. PGE will secure the access door to its connections using a PGE meter seal. Keep the meter seal locations on the door accessible.
- d. **Do NOT install Customer's conduit across front of PGE's access door on pedestal.**
- e. Use corrosion inhibitor for all aluminum connections.
- f. PGE will specify location of the meter pedestal.
- g. Other applications for this pedestal may be permitted upon approval from PGE.

**Figure 9-2 Post-Mounted Underground Service**



**Notes:**

1. 6 x 6-inch minimum size, pressure-treated wood post owned by Customer. During installation, firmly tamp earth around post and mound to allow for settling.
2. See [Section 6](#) for conduit and underground requirements.
3. Block and strap to support conduit.
4. PGE will determine the exact location of the meter.

**9.4 Overhead Service Information**

PGE will supply new overhead service to any building or premises except in an area designated by local government jurisdiction and/or PGE as an underground district, restricted to underground service.

Refer to [Section 9.6](#) for service drop information.

**9.5 Overhead Service to Manufactured Homes**

PGE will provide overhead service to manufactured homes using the same requirements as residential occupancies listed in [Section 7, Single Family Service](#). The Customer must make provision for meter height and placement as described in [Section 5.1, Meter Clearances and Locations](#).

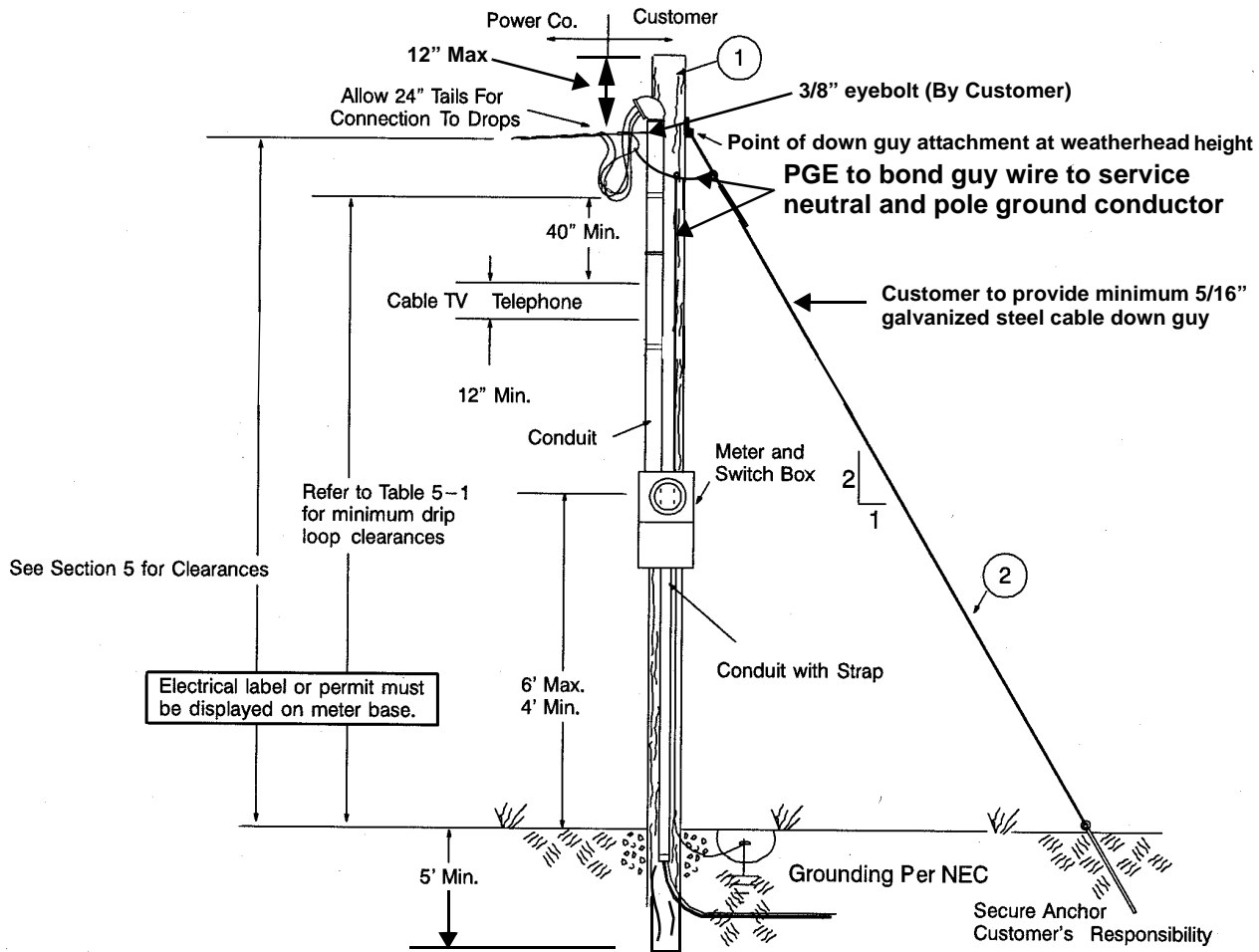
The location of the factory-installed meter socket shall be approved by PGE before manufacture of the home. When the meter socket is improperly located the Customer is responsible for all modifications to relocate or locate meter to Power Company requirements.

**9.6 Overhead Service to Mobile Homes**

The Customer must install the meter base and service equipment on a wood pole. The pole requires pressure or thermal treatment with an American Wood Preservative Association approved preservative. The pole height must provide all required clearance for PGE's service drop and any telephone, cable TV or other attachments (see [Section 5, Clearances](#)).

PGE will not energize the service if the Customer-provided service pole is not safe to climb.

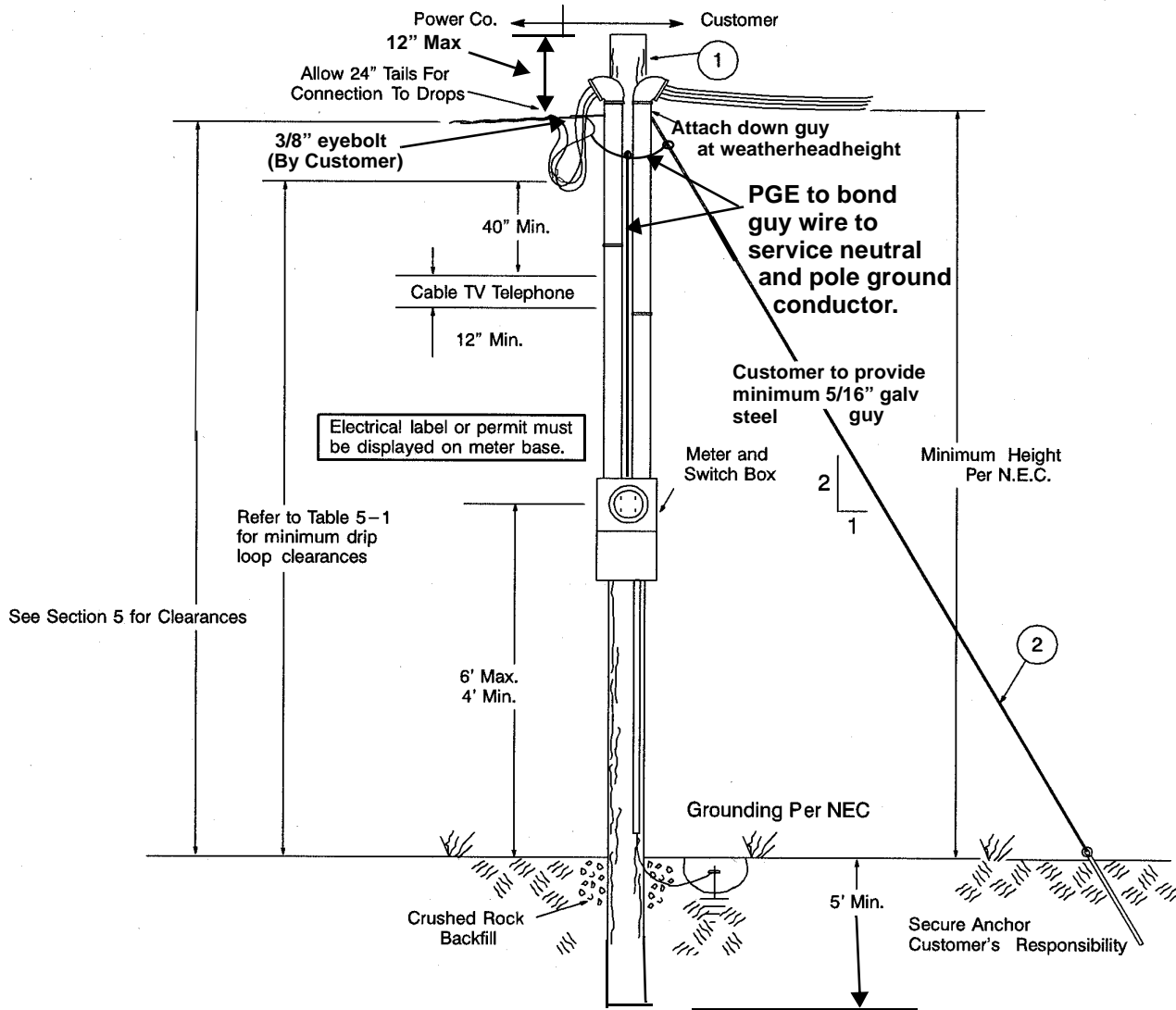
**Figure 9-3 Overhead Service to Mobile Homes,  
Customer Underground Service Lateral**



**References:**

1. Customer to provide and install a new and PGE approved pole. Customer to provide service loop, and a minimum 5/16" galvanized steel cable down guy and anchor.
2. Customer to provide Pole to be 20' minimum length, not less than 5-1/2" diameter at the top, pressure or thermally treated by a commercial treating plant, set no less than 5' below ground level, with gravel backfill. A 6" x 6" square post (treated) is an option. Pole to be 25' minimum length if service drop crosses a road or traffic area.
3. Poles greater than 25' will need to be set more than 5' below ground level. Consult PGE for proper depth.
4. Additional height may be required to accommodate overhead telephone service or cable TV. Contact telephone and CATV Co. for their required clearances.
5. PGE will determine the exact location of the meter.

**Figure 9-4 Overhead Service to Mobile Homes,  
Customer Overhead Service Drop**



**References:**

1. Customer to provide and install a new and PGE approved pole. Customer to provide service loop, and a minimum 5/16" galvanized steel cable down guy and anchor.
2. Pole to be 20' minimum length, not less than 5-1/2" diameter at the top, pressure or thermally treated by a commercial treating plant, set no less than 5' below ground level, with gravel backfill. A 6" x 6" square post (treated) is an option. Pole to be 25' minimum length if service drop crosses a road or traffic area.
3. Poles greater than 25' will need to be set more than 5' below ground level. Consult PGE for proper depth.
4. Additional height may be required to accommodate overhead telephone service or cable TV. Contact telephone and CATV Co. for their required clearances.
5. PGE will determine the exact location of the meter.