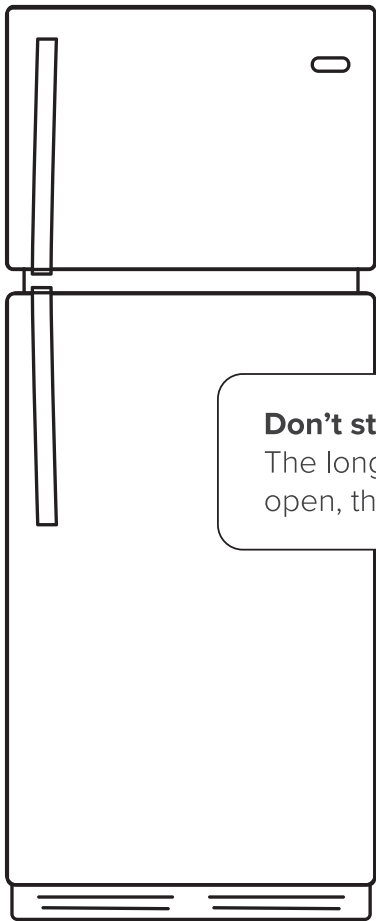


My home WAYS TO SAVE ENERGY

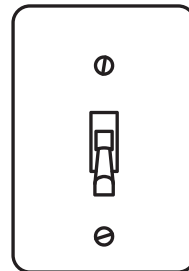
in the kitchen!

There are lots of ways to save energy around the house and you can play a big role. Let's head to the kitchen and get started. Grab some crayons or markers and create your energy saving artwork. Then have a parent or older sibling post it on the refrigerator so the whole family will remember these energy saving tips.



Don't stare into the fridge

The longer you keep the door open, the more energy it wastes



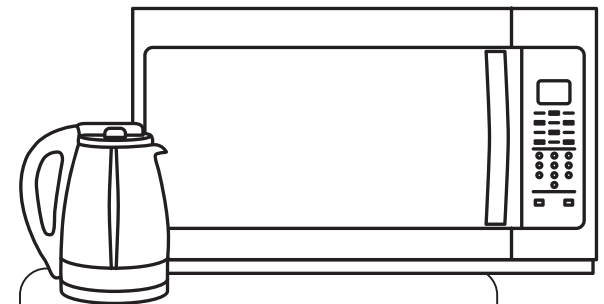
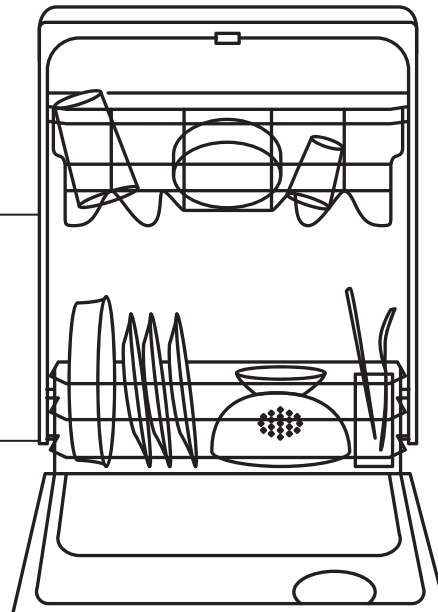
Flip the switch

Don't forget to turn off the lights when no one is using them



Load up the dishwasher

Save by running a full load at night and letting dishes air dry



A better way to cook

Microwaves and electric kettles can be more efficient than the oven or stove

PGE's Clean Energy



WORD SEARCH GAME

Family fun for ages 7 and up!



Clean energy is important for everyone. Can you find all the words that will help lead us to clean energy future? They're hidden inside this word search puzzle. You can go up, down, forwards or diagonally in this word search. Time yourself and see how long it takes to find all of them. Have fun and challenge others in your family!

A	W	Z	D	E	Q	C	S	S	M	A	R	T	G	R	I	D	O	P	D	S	B	J	R	T	Y	I
M	L	Q	G	J	S	W	E	I	O	M	K	L	O	C	L	I	M	A	T	E	C	H	A	N	G	E
Z	Z	F	C	L	E	A	N	B	H	L	K	C	D	U	E	A	S	V	M	E	Y	Y	P	L	W	E
E	Z	S	O	H	V	B	L	N	R	N	A	A	M	A	Q	L	W	F	I	S	C	D	G	C	I	N
R	Q	A	N	V	E	S	H	E	C	J	O	R	M	P	M	S	V	U	G	Y	M	R	E	A	N	Y
O	U	S	S	U	N	L	I	G	H	T	K	B	P	L	I	S	U	T	D	E	V	O	X	R	D	K
E	Q	G	E	S	W	E	I	N	V	U	L	O	A	A	F	G	H	U	Y	U	P	P	O	B	E	X
M	F	V	R	H	S	F	B	H	G	R	R	N	U	E	N	S	V	R	E	Y	H	O	L	O	E	A
I	S	F	V	V	B	U	N	R	W	B	G	D	O	Q	L	E	F	E	S	T	Y	W	M	N	Q	G
S	T	W	E	E	L	E	C	T	R	I	C	I	T	Y	K	Y	L	P	M	O	W	E	X	F	F	V
S	H	I	F	B	H	J	K	R	M	N	E	O	S	V	M	E	Y	S	P	L	W	R	A	R	S	F
I	V	B	D	O	A	W	Z	D	Q	E	C	X	X	G	E	T	Y	U	J	E	I	O	P	E	S	B
O	R	T	Y	A	M	L	Q	G	J	S	W	I	I	N	M	R	E	N	E	W	A	B	L	E	Y	I
N	M	O	W	E	L	Z	F	V	G	H	S	D	B	H	J	K	R	B	U	E	A	R	V	M	E	O
S	P	W	I	N	D	P	O	W	E	R	L	E	N	W	N	T	G	R	E	E	N	W	T	I	S	M
D	G	L	I	N	U	Q	A	T	V	E	S	N	M	A	L	O	A	V	F	G	H	K	Y	H	P	A
E	N	E	R	G	Y	T	V	D	B	N	S	R	Y	V	T	M	H	K	J	I	U	W	D	X	Z	S
O	E	F	F	I	C	I	E	N	C	Y	M	E	G	E	N	E	R	A	T	O	R	V	O	P	L	S

WORD LIST

Portland General Electric | March 2020

BIOMASS
CARBONDIOXIDE
CARBONFREE
CLEAN
CLIMATECHANGE
CONSERVE

DAMS
EARTH
EFFICIENCY
ELECTRICITY
ENERGY
FUTURE

GENERATOR
GREEN
HYDROPOWER
RENEWABLE
SMARTGRID
SOLAR

SOLARPANELS
SUN
SUNLIGHT
TIDAL
TURBINE
WAVE

WIND
WINDPOWER
ZEROEMISSIONS